

YT 660



season '21/'22 model shown

YT 660



season '21/'22 model shown

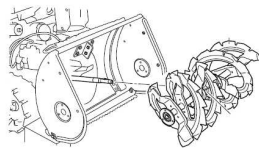
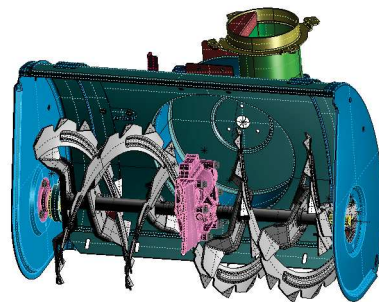
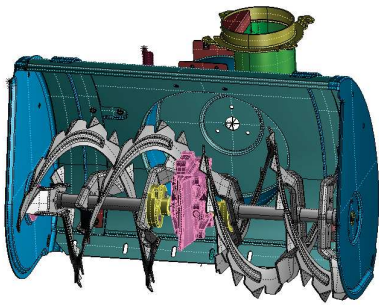


YT 660



- ❑ New shear bolts guard mechanism
- ❑ 2x 10mm spanners in toolkit

New & improved!



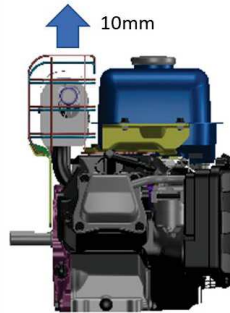
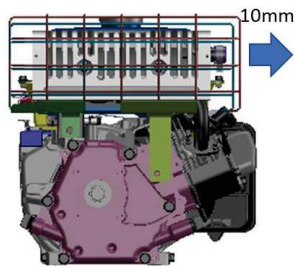
YT 660



- ❑ Muffler cover is made 10mm wider and 10mm higher
- ❑ Due to ISO update
- ❑ Improved heat protection (for better safety)

New & improved!

YT660



YT 660



- ❑ New Art Code : (TBA March '22)
- ❑ Clearing width 615 mm
- ❑ Housing height 440 mm
- ❑ Snow clearing capacity 35 tons/hr
- ❑ Maximum snow throwing distance 14 m

YT 660 USP's

- ❑ Manufactured in Japan
- ❑ Emissions: EU Stage V compliant
- ❑ Serrated snow jaw scraper
- ❑ Auger shock protector system
- ❑ NEW: Shear bolts installed outside auger house
- ❑ Assisted Augertilt system
- ❑ "No stick" Plastic liner
- ❑ Plastic skis
- ❑ Track Drive
- ❑ One hand Chute operation
- ❑ Easy Drain summer storage fuel petcock
- ❑ LED working light



season '21/22 model shown



YT 660 Specification Sheet



YT660 SNOWTHROWER	
Engine	
Capacity	
Drive system	

YT660 SNOWTHROWER	
Auger system	
Chute control	
Dimensions	



YT 660



- ❑ Model: MZ175
- ❑ Engine type: Single cylinder, 4-stroke, air-cooled, OHV
- ❑ Displacement: 171cc
- ❑ Power Max: 4,2 kw (5,7 ps)
- ❑ Power @ Rated speed: 3,5 kw (4,7 ps)
- ❑ Starter system: Electric 12VDC battery type & Recoil
- ❑ Ignition system: TCI
- ❑ Recommended fuel: Unleaded Regular Gasoline

Dual starter system

- ❑ Battery based Electric start
- ❑ On Board 12v Battery
- ❑ Recoil back-up starter



Japanese version shown



Cell starter
Simply turn the key to start the engine easily.



YT 660



- ❑ Fuel tank capacity 4,5 liters
- ❑ Engine oil capacity 10,6 liters
- ❑ Wet weight 145 kg
- ❑ Length x width x height 1464 x 615 x 1060 mm



YT 660



season '21/'22 model shown

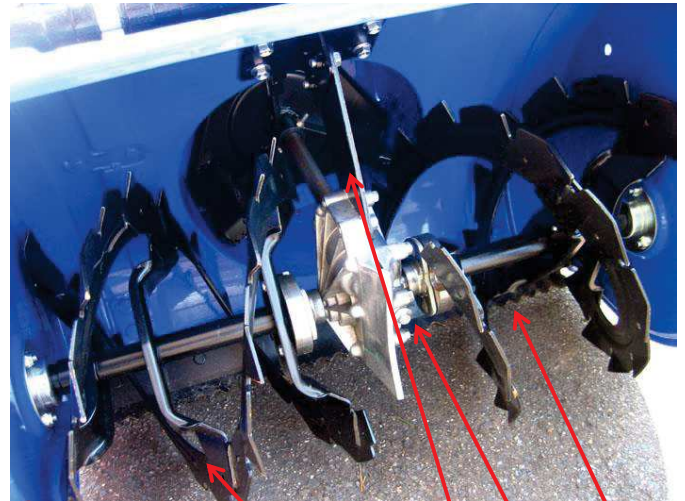


season '21/'22 model shown

YT 660



- ❑ Dual Stage Auger type
- ❑ Shock protector minimizes Auger & machine damage in case of hitting hard object
 - This is a technology unique to Yamaha that prevents damage to the power transmission part by releasing the impact of foreign objects such as stones and wood chips when removing snow and reducing the load on the shear bolt.
- ❑ Serrated snow jaw scraper breaks up ice & hard pack snow
- ❑ Adjustable Auger housing skis to adjust snow jaw scraper height



Plastic Skid Ski's
(not visible)

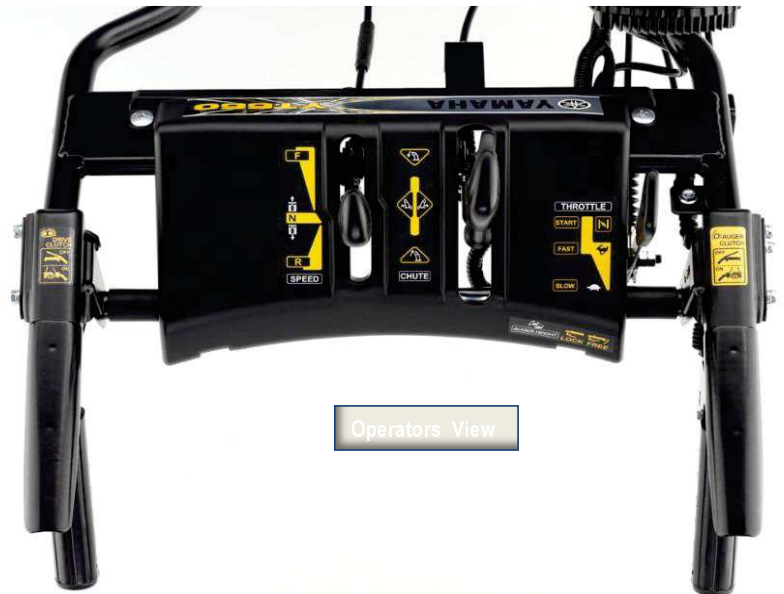


Auger

YT 660



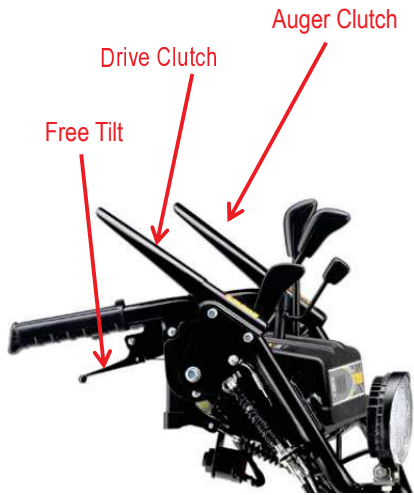
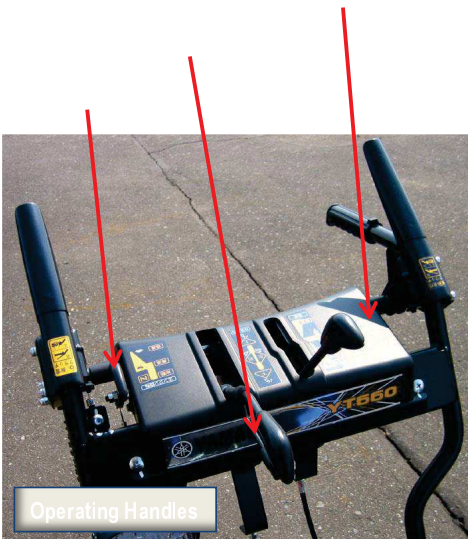
- ❑ Non-freeze plastic panel cover
- ❑ Ergonomic improved
 - Easier to operate
 - High visibility icons
 - More logic lay out of handles



Operators View



YT 660



deadman clutch mechanism.
If you release your hand from the travel clutch lever, the rotation of the auger and the travel of the snow blower will stop automatically.

YT 660



- ❑ Rotation: Electric
- ❑ Deflection: Manual, two-step (remote lever)
- ❑ Turning radius: 220 °
- ❑ Chute material: Steel with inside plastic liner
- ❑ Plastic liner prevents snow sticking
- ❑ Mechanical Chute Up & Down movement
- ❑ Electrical Chute rotation
 - Snow throwing adjustment on the fly
 - Dump the snow where you want it
 - Fast chute rotation when changing snow clearing direction



CHUTE CONTROL

YT 660



- ❑ Axle Rubber track
- ❑ Transmission system Hydrostatic
- ❑ Speeds Infinitely variable
- ❑ Ground speed forward 0 - 3.2 km/h
- ❑ Ground speed reverse 0 - 2.4 km/h
- ❑ No slipping, no sliding - just great control. The rubber tracks are pliable, with large cleats for added grip when maneuvering in difficult conditions. They provide good traction, even on steep driveways - and you can even expect this machine to climb steps when necessary. The system works in perfect harmony with the Hydrostatic Transmission
- ❑ Free run wheel pin system to disengage track from transmission. Easy to move machine without engine running



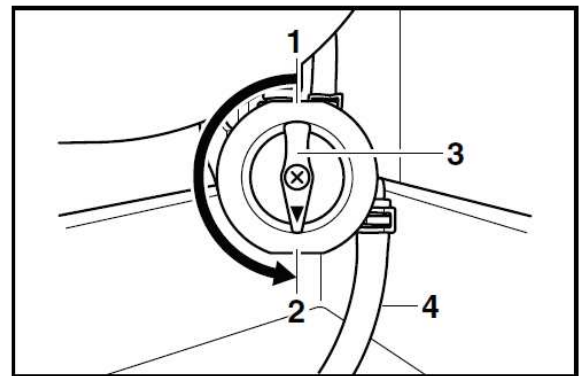
HST



- ❑ Easy access to check essential fluids
- ❑ Fuel tap with drain functions
 - Summer storage features
 - Fuel hose drain
 - Carburetor bowl drain
 - Prevents gum in fuel system



8. Turn the fuel cock lever from the “ON” position to the “Carb Drain” position. Drain the gasoline from the carburetor into the container through the fuel drain hose.



1. “ON”
2. “Carb Drain”
3. Fuel cock lever
4. Fuel drain hose

9. Turn the fuel cock lever from the “Carb Drain” position to the “Hose Drain” position. Drain the gasoline from the hose through the fuel drain hose.

YT 660



- ❑ Auger housing extension
- ❑ Snow cleaning tool for chute & impeller
- ❑ Chute outlet protection
- ❑ Exhaust heat protection
- ❑ Higher handlebar to match European human length
- ❑ CE declaration of conformity
- ❑ EU Emission; stage V compliant



season '21/'22 model shown

